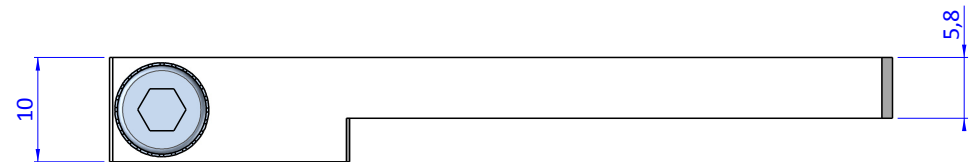
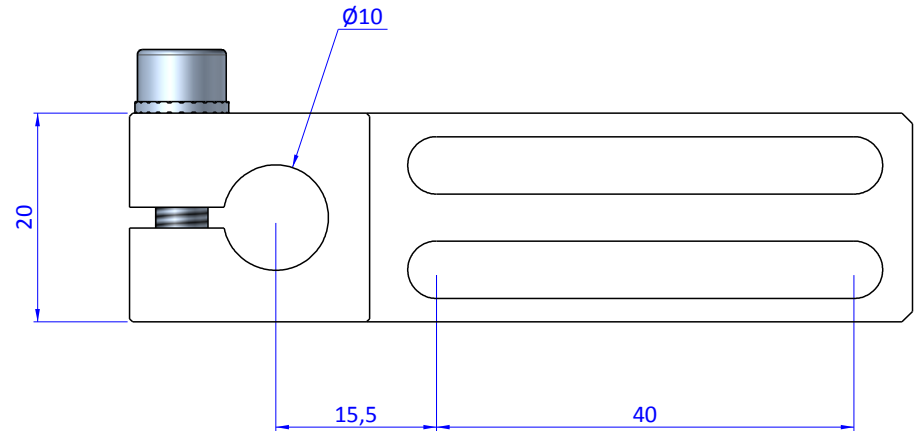
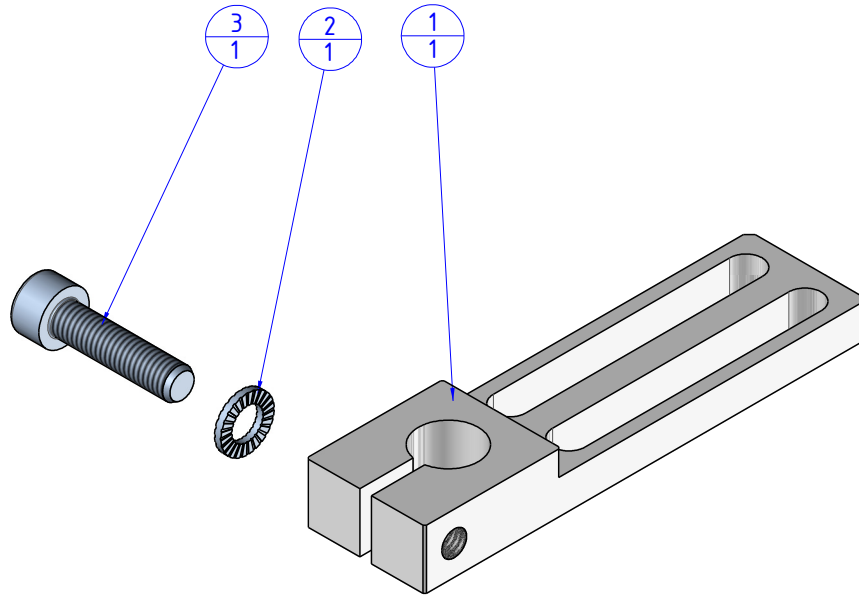


THE PROPERTY OF THE DRAWING IS ESTABLISHED BY LAW. IT IS FORBIDDEN TO PRODUCE OR SHOW IT TO THIRD PARTY, WITHOUT A WRITTEN AGREEMENT.

Item	Name	Q.ty
1	04.02.10	1
2	R.5.SCH	1
3	V.TCE5x20	1



Format A3

UNI 936-76

<b>FP SERVICES</b> AUTOMATION			DESIGNED FROM	REVIEW
			FP SERVICES	A
GENERAL TOLERANCE	DESCRIPTION		DATE	WEIGHT
UNI - ISO 2768			30/04/2016	0,023kg
CLASSE f	CA.04.02.10		CODE	CA.04.02.10